

Castleton TruHybrid™ Wood Stove



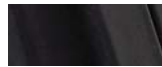
CASTLETON TruHybrid™ MODEL 8031 MATTE BLACK + SOAPSTONE

This wood-burning appliance meets 2020 U.S. Environmental Protection Agency clean air standards.



Castleton featured in Matte Black.

FINISH OPTIONS:



Matte Black



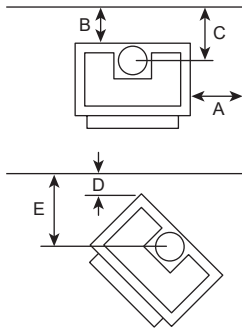
Brown Majolica Enamel



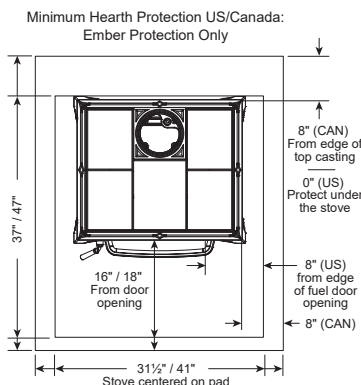
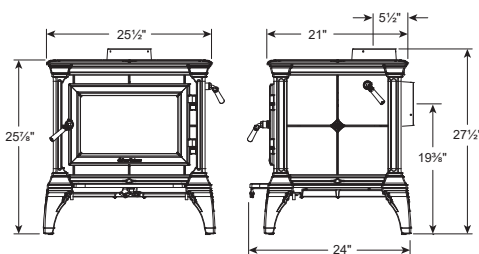
Seafoam Enamel



CLEARANCE TO COMBUSTIBLE MATERIALS



	Single-wall connector pipe, no rear heat shield	Double-wall connector pipe*, with rear heat shield
A	17"	17"
B	15"	8"
C	20"	13"
D	8"	8"
E	20.5"	20.5"



Note: Clearance measurements refer to the top of the stove.
* Connector pipe clearances may vary. Refer to manufacturer's specifications.

Note: Always refer to the HearthStone Owner's Manual and the local Authority Having Jurisdiction in your area for the specific installation requirements for your product.

CASTLETON 8031 TruHybrid™

- **TruHybrid™ Combustion System**
Clean burning, uber-efficient, burn times up to 20 hours.
- **Single Lever Air Control**
Easy operation, consistent performance
- **Easy Catalyst Control Handle**
Open side lever for smokeless startups, close for long, efficient fires
- **Durable Construction**
1 1/4" soapstone with iron protectors ensure a lifetime of trouble free service
- **Top Or Rear Flue Exit**
Flexible installation, free standing or hearth configuration with a cooking plate

SPECIFICATIONS

Burn Time	20+ hrs
EPA Certified	0.69 g/hr
Heats up to	1,500 sq ft
Firebox Capacity.....	1.9 cu ft
BTU	Up to 45,000
Efficiency	83% LHV, 77% HHV
Maximum Log Length.....	18"
Flue Exit & Diameter.....	Top or Rear - 6"
Ash Pan.....	n/a
Actual Weight	464 lbs.
Alcove Certified	Yes
Mobile Home Certified	Yes

ACCESSORIES

Rear Heat Shield	90-68300
Convection Blower.....	90-57210
Outside Air Adapter.....	90-53300
Spark Screen.....	90-69300